

If only the Greeks knew what Zeus knows about construction joints today.

# ZEUS: the innovative new flanged support system for structural suspended precast concrete floors

Zeus has been developed as a cost-effective combined support and lifting detail for flange hung 'Double Tee' and 'Ribbed' precast floor units greater than 150mm deep.

The system has been designed in accordance with NZS/AS 1170 and NZS 3101:2006.

It is the only hanger system to date that has been rigorously tested to the 'Jenson Protocol' which recognises the combined diaphragm and beam rotation stresses induced in flooring units under extreme loading.

Zeus is the best practice alternative to the "pigtail loop" detail which is hard to justify using rational analysis.

## SECURE IN PLASTIC HINGE ZONES

Zeus can incorporate a life safety strap so that in a major seismic event where losing all seating from the support beam ledge may occur, the life safety strap has sufficient capacity to provide gravity support. This is especially beneficial in plastic hinge zones.

## ACCOMODATES BUILDING MOVEMENT

Zeus assists in accommodating likely movement such as creep, temperature, concrete shrinkage and plastic deformation.

## DURABLE

Zeus is forged from ST52.3 high grade alloy steel and hot dip galvanised for corrosion protection.



Patent No: 571533

Ph 0800 88 22 12 | [www.reids.co.nz](http://www.reids.co.nz)

Range effective September 2010. Reid™ reserves the right to adjust range without notification. For more up-to-date details visit our website. © Copyright Reid™ Construction Systems. All rights reserved. Version: 30/09/10. This supersedes all previous versions.

 **reid**<sup>™</sup>  
SOLUTIONS IN CONCRETE CONSTRUCTION

# ZEUS FLANGED SUPPORT SYSTEM



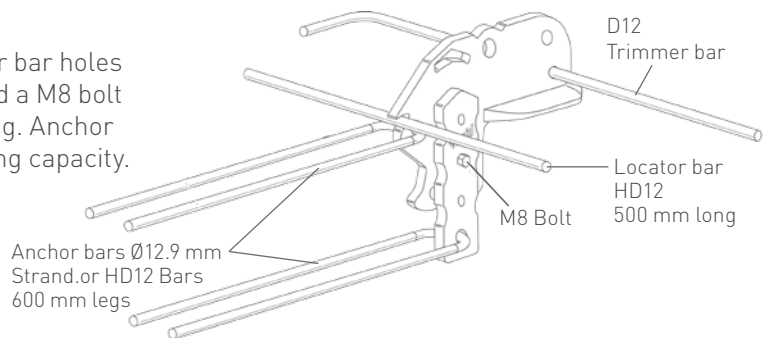
## FLEXIBLE LEG LENGTH OPTIONS

The patented two-part system is cast into the web of the Double Tee or Rib unit. Choose from three different leg lengths that easily connect to the hanger, depending on the unit being manufactured.

Product Code	Double Tee or Rib Depth
Z1	>150mm - 200mm depth
Z2	250 - 300mm depth
Z3	350 - 450mm depth
Z4	500 - 600mm depth

## EASILY ASSEMBLED

Easy to assemble in the mould, Zeus has trimmer bar holes for threading through reinforcing. Reinforcing and a M8 bolt are used to hold the bracket secure during casting. Anchor bars ensure that the bracket achieves its full lifting capacity.



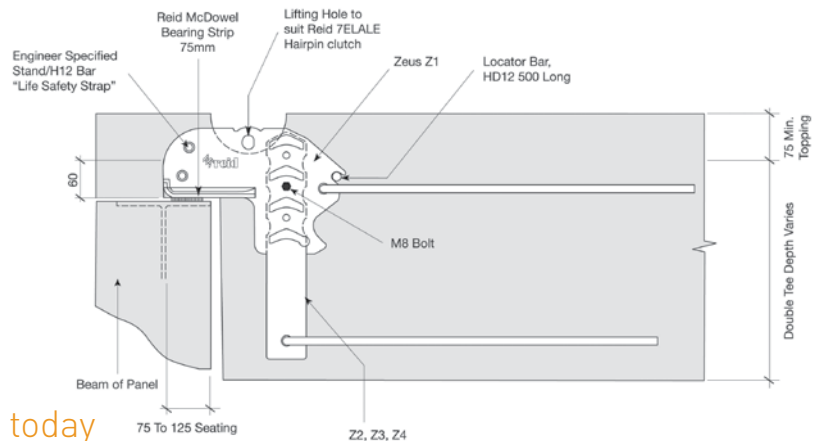
## DUAL-PURPOSE REINFORCING & LIFTING SYSTEM

Zeus is compliant with the NZ Approved Code of Practice for the Safe Handling, Transportation and Erection of Precast Concrete.

For use with a Reid 7 Tonne Hairpin Clutch (7ELALE) and 7ELARRF recess former.



CAD blocks are available for engineers on request or can be downloaded from the Reid website at [www.reids.co.nz](http://www.reids.co.nz)



For more information contact us today

Ph 0800 88 22 12 | [www.reids.co.nz](http://www.reids.co.nz)